



The average annual per capita paper use in the USA in 2001 was 700 pounds. The average annual per capita paper use in the rest of the world was 110 pounds. This is equal to approximately 28 print outs per day every day. Excessive use of paper wastes landfill space, water, chemicals and the energy resources required to recycle the paper. Join TiLite in its efforts to reduce paper use by filling out this order form online and sending it via email. To learn more [click here](#) or visit: tilite.com/thinkgreen.php.

The TiLite® ZRA Series 2 Order Form is a digital order form and may be filled out on your computer using Adobe® Acrobat® or Adobe® Reader®. For your convenience the order form may then be saved and emailed directly to TiLite's Customer Service Team. Adobe® Acrobat® is recommended in order to take full advantage of the functions on this order form.

To save the completed Order Form to your desktop using Adobe® Reader®: (1) Fill out the order form completely (you will not be able to make changes once the order form is saved using this program). (2) Go to File and select Print; (3) Select Adobe PDF from your list of printers; (4) Select Print again; (5) Select the destination where you would like the file saved; and (6) Select Save. The "Quote This Chair" or "Order This Chair" function on page 7 will not work with Adobe® Reader®.

[Click here](#) to download for free Adobe® Reader® or to purchase Adobe® Acrobat®.

TiLite ZRA Series 2 Order Form

Effective January 1, 2011 (New Items in Red)

TITANIUM RIGID FRAME

Page 1 of 10

DEALER INFORMATION		RTS INFORMATION	
Dealer:		RTS:	Phone:
Account:	PO:	Email:	
Ordered By:		SHIP TO INFORMATION	
Address:		Name:	Ship Via:
City:	State:	Zip:	
Phone:	Fax:	City:	State:
Email:		Phone:	Fax:
		TiLite Information	
Mark For:		Ship Date:	Order #:

Please Fax to the TiLite Customer Service Team at 866.586.2413 or 509.586.2413



FRAME STYLE

Z2FS2 **TiLite ZRA** (Full Adjustability. 265 Pound Weight Limit. For Rear Seat Width **A** and Seat Depth **B** of 15" or greater, use K0009. For Rear Seat Width **A** and Seat Depth **B** of less than 15", use E1229. Weight Limit is restricted to 150 pounds on chairs with Rear Seat Width **A** and Seat Depth **B** from 10"x10" to 12"x12".).....

\$2,795 **K0009**
E1229

TiLite Special Editions If selecting one of the TiLite Special Editions you must still fill out the entire order form. Edition options will override inconsistent selections. Options cannot be added or deleted.

Z2P1 SuperLite Edition

- Z2FTR1 Titanium Footrest w/Flat ABS Cover.....**\$150**
- Z2SB2 Folding Titanium Backrest.....**\$175**
- Z2SB7 Carbon Fiber TiShaft™ Back Release Bar.....**\$65**
- Z2CBR6 Carbon Fiber Camber Tube (Not available with a Power Adaptable Frame. When a Power Adaptable Frame is selected, a Titanium Camber Tube will be used.).....**\$175**
- Z2FK2 TiLite Slipstream Single-Sided Fork.....**\$150**
- Z2TS1 Titanium Fork Stems.....**\$50**

Retail: \$765

SuperLite Edition Price: \$650

Z2P2 Active Edition

- Z2FTR1 Titanium Footrest w/Flat ABS Cover.....**\$150**
- Z2CBR3 Titanium Camber Tube.....**\$50**

Carbon Fiber Side Guards

- Z2SDG8 Fold Down Rigid.....**\$400**

OR

- Z2SDG9 Fendered Removable.....**\$375**

Retail: \$575 - \$600

Active Edition Price: \$490



THE ULTIMATE RIDE.®

tilite.com
2701 West Court Street | Pasco, Washington 99301
509.586.6117 Tel | 800.545.2266 Toll-Free
509.586.2413 Fax | 866.586.2413 Toll-Free Fax

THE TITANIUM EXPERTS.®

TiLite ZRA Series 2 Order Form

Effective January 1, 2011 (New Items in Red)

TITANIUM RIGID FRAME

Page 2 of 10

FRAME STYLE

Z2P3 **Rugged Edition** (Requires 14.5" minimum Rear Seat Height **D**.)

Z2CBR3 Titanium Camber Tube.....	\$50
Z2RW3 Spinergy SPOX Rear Wheels	\$695
ZRTR5 24", 25" or 26" Kenda® High Pressure (110psi).....	\$85

AND

Z2RW2 TiLite Rear Wheels w/High Flange Hub	\$225
Z2RTR6 <input type="checkbox"/> 24" Grey Knobby OR Z2RTR7 <input type="checkbox"/> 26" Black Knobby.....	\$95
Z2AXL4 Additional Set of Stainless Quick Release Axles	\$65

Retail: \$1,175

Rugged Edition Price: \$999

Z2P4 **Armed Forces Edition** (Armed Forces Edition can be ordered in combination with any of the other Frame Styles. Neoprene

Impact Guards will match Digital Camo when ordered.).....**\$140**

Z2AF1 Army (Subdued Green painted frame with ACU digital upholstery.)

Z2AF2 Navy (Subdued Dark Blue painted frame with NWU digital upholstery.)

Z2AF3 Air Force (Subdued Green painted frame with New ABU digital upholstery.)

Z2AF4 Marines (Subdued Tan painted frame with MARPAT - Desert digital upholstery.)

Z2AFP1 4" Logo Patch **OR** Z2AFP2 Name Tape Patch

Z2AFP3 Combat Wounded Purple Heart Patch

Z2PWR1 **Power Adaptable Frame** (No charge when 20" Rear Seat Width **A** and 20" Seat Depth **B** are selected. Requires Billet Aluminum

Front Wheels and 0° Camber **F**. Not available with Carbon Fiber Camber Tube. Camber tube available in silver anodize only.)**\$300**

Z2RFR1 **Reinforced Frame** (No charge when 20" Rear Seat Width **A** and 20" Seat Depth **B** are selected.)**\$300**

WHEELCHAIR TRANSPORT BRACKETS

Z2WTB has NOT been crash tested in accordance with ANSI/RESNA Vol. 1 Section 19 nor in accordance with ISO 7176-19. Use these wheelchair transport brackets ONLY to secure an unoccupied wheelchair during transport. The U.S. Department of Transportation has not approved any tie down system for transportation of a user while in a wheelchair in a moving vehicle of any type. It is TiLite's position that users of wheelchairs should be transferred into appropriate seating in motor vehicles and use the restraints made available by the auto industry. Consult the TiLite Wheelchair Transport Brackets Owner's Manual Supplement for complete details, warnings and instructions.

Z2WTB **Wheelchair Transport Brackets** (Consists of four factory-installed wheelchair transport brackets).....**\$250**

FRAME FINISHES

Z2FF1 Satin**STD**

Z2SCBT1 Satin Finish Buffing Pads.....**\$15**

Z2FF2 Polished**\$650**

Z2FF3 Tattooed Titanium™ (Tattoos on front frame tubes. Frame finished in Satin. Click on the images below to view the Tattoos online.).....**\$250**

Z2FF4 Rock & Roll

Z2FF5 Retro



Z2FF6 Mother Nature

Z2FF7 Henna



High Gloss Paint

Z2FF8 Super Wet Black

Z2FF11 Military Green

Z2FF9 Sunburst Yellow

Z2FF12 Orange Crush

ZRFF10 TiLite Red

Z2FF13 Hot Pink**STD**

Metallic Paint

Z2FF14 Ocean Blue Metallic

Z2FF15 Tangerine Metallic

Z2FF16 Salsa Red Metallic.....**STD**

Pearlescent Paint

ZRFF17 Midnight Blue Pearl

ZRFF18 White Pearl**STD**

Matte Paint

Z2FF19 Black Lava

Z2FF20 Deep Blue Ice

Z2FF21 Scarlet Ice.....**STD**

TiLite ZRA Series 2 Order Form

Effective January 1, 2011 (New Items in Red)

TITANIUM RIGID FRAME

Page 3 of 10

FRAME FINISHES

Candy Paint

Z2FF22 Ruby Red
Z2FF25 Electric Plum

Z2FF23 Azure Blue
Z2FF26 Atomic Green

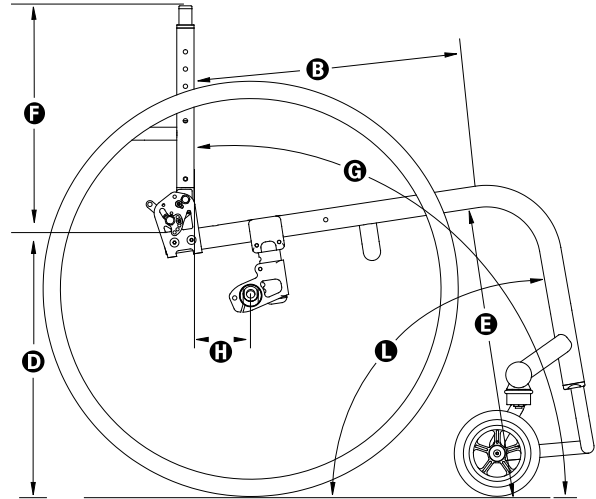
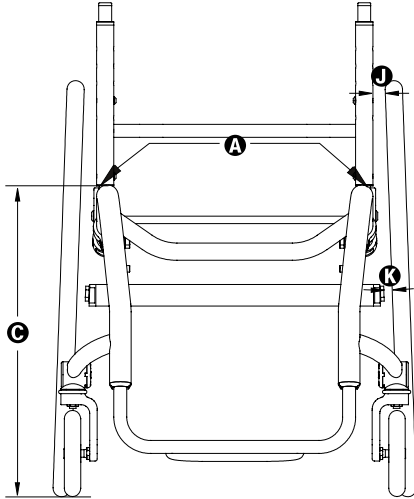
Z2FF24 Root Beer Candy
.....**STD**

COLOR ANODIZE PACKAGE

(Color Anodize Package includes: Aluminum Camber Tube, Camber Mount, Footrest Clamp, Caster Mount, Caster Fork, and Caster Cap. If no anodize color is selected, the default will be black.)

Z2ANO1 Black**STD**
Z2ANO5 Sapphire Z2ANO3 Red Pepper Z2ANO6 Burnt Orange Z2ANO7 Sub-Lime Z2ANO8 Ultraviolet **\$125**

FRAME MEASUREMENTS

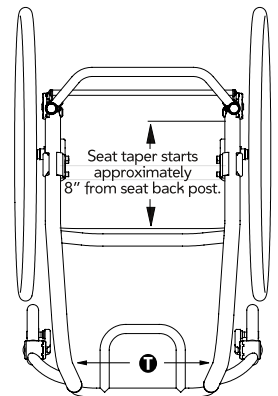


REAR SEAT WIDTH A Measure from outside of seat tube at back post to the outside of the opposite seat tube at back post.

Z2SW4 10" 11" 12" 13" 14" 15" 16" 17" 18" 19"**STD**
Z2SW2 20"**\$300 E2201**

FRONT SEAT WIDTH (SEAT TAPER) I Measure from inside of front frame tube to inside of opposite front frame tube.

Z2FSW1 No Taper.....**STD**
Z2FSW3 1.5" Taper (4" Narrower than Rear Seat Width. Includes Tension Adjustable by Straps Seat Upholstery. Not available with 10" and 11" Seat Widths A.).....**\$250**
Z2FSW5 2.5" Taper (5" Narrower than Rear Seat Width. Includes Tension Adjustable by Straps Seat Upholstery. Not available with 10" to 14" Seat Widths A.).....**\$250**



SEAT DEPTH B Measure from front of back post to the front edge of seat sling. Front edge of seat sling will be at the beginning of the bend at front of chair frame, unless Frog Legs® or 90° Front Angle is ordered, in which case front edge of seat sling begins approximately 1" behind the bend.

Z2SD1 10" 11" 12" 13" 14" 15" 16" 17" 18" 19"**STD**
Z2SD2 20"**\$300 E2203**
Z2SD3 Frame Depth Longer or Shorter Than Seat Depth (A Custom Frame Depth of 20" is \$450 if Seat Depth B of 20" is not also selected.).....**\$150**

Custom Frame Depth: _____"

FRONT SEAT HEIGHT C Measure from floor to top of seat tube at beginning of bend. ZRA adjusts up and down in 1/2" increments.

Z2FSH1 16" 16.5" 17" 17.5" 18" 18.5" 19" 19.5" 20" 20.5" 21"**STD**

TiLite ZRA Series 2 Order Form

FRAME MEASUREMENTS

REAR SEAT HEIGHT ① Measure from floor to top of seat tube at back post. ZRA adjusts up and down in 1/2" increments.

REAR SEAT HEIGHT RANGES

Rear Wheel Size	ZRA Rear Seat Heights ①					
20"	12.5" - 18.5"	Z2RSH1	<input type="checkbox"/> 12.5"	<input type="checkbox"/> 13"	<input type="checkbox"/> 13.5"	<input type="checkbox"/> 14"
22"	14.0" - 19"		<input type="checkbox"/> 14.5"	<input type="checkbox"/> 15"	<input type="checkbox"/> 15.5"	<input type="checkbox"/> 16"
24"	14.5" - 20"		<input type="checkbox"/> 16.5"	<input type="checkbox"/> 17"	<input type="checkbox"/> 17.5"	<input type="checkbox"/> 18"
25"	14.5" - 20"		<input type="checkbox"/> 18.5"	<input type="checkbox"/> 19"	<input type="checkbox"/> 19.5"	<input type="checkbox"/> 20".....STD
26"	15.5" - 20"					

FRONT ANGLE ① Measure from frame front to floor.

Z2FA1 70° 75° 80° 85° (85° Not available with 6" Front Wheels.) 90° (90° Not available with 5" or 6" Front Wheels.).....STD

SEAT TO FOOTREST ③/FOOTRESTS Measure from front edge of seat sling to top rear of footrest. **Measurement must be at least 2" shorter than Front Seat Height ③.**

STANDARD FOOTRESTS

- 13.5" 14" 14.5" 15" 15.5" 16" 16.5" 17" 17.5" 18" 18.5" 19"
- Z2FTR3 Angle Adjustable FootrestSTD K0040
- Z2FTR1 Titanium Footrest w/Flat ABS Cover.....\$150
- Z2FTR2 Titanium Open Loop Footrest\$200
- Z2FTR12 Titanium Flip-Back Footrest (Not available w/ 10" or 11" Rear Seat Width ④ or ABS Cover w/ 2" Sides.).....\$150

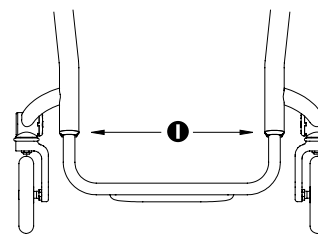
HIGH MOUNT FOOTREST

- 7"-9" 9"-11" 11"-13 Set at: _____ (Use 1/2" increments)
- Z2FTR4 Angle Adjustable High Mount Footrest.....\$85 K0040
- Z2FTR14 ABS Cover w/2" Sides (Not available with Flip-Back Footrest or chairs with 10" or 11" Rear Seat Width ④.).....\$95 K0041

FOOTREST WIDTH ① or ⑤ Select either a Standard Front End if no Seat Taper ① is selected on page 3 or a V-Front End if a Seat Taper ① is selected on page 3.STD

STANDARD FRONT END ① Z2FE1 Find your Rear Seat Width ④ in the chart below and select one of the options to the right. Measure from inside of front frame tube to inside of opposite front frame tube.

REAR SEAT WIDTH ④ (Outside Measurement)	FOOTREST WIDTH ①		
	No Taper (2.5" Narrower than Rear Seat Width)	1.5" Taper (4" Narrower than Rear Seat Width)	3.5" Taper (6" Narrower than Rear Seat Width)
10"	<input type="checkbox"/> 7.5"		
11"	<input type="checkbox"/> 8.5"		
12"	<input type="checkbox"/> 9.5"	<input type="checkbox"/> 8"	
13"	<input type="checkbox"/> 10.5"	<input type="checkbox"/> 9"	
14"	<input type="checkbox"/> 11.5"	<input type="checkbox"/> 10"	
15"	<input type="checkbox"/> 12.5"	<input type="checkbox"/> 11"	<input type="checkbox"/> 9"
16"	<input type="checkbox"/> 13.5"	<input type="checkbox"/> 12"	<input type="checkbox"/> 10"
17"	<input type="checkbox"/> 14.5"	<input type="checkbox"/> 13"	<input type="checkbox"/> 11"
18"	<input type="checkbox"/> 15.5"	<input type="checkbox"/> 14"	<input type="checkbox"/> 12"
19"	<input type="checkbox"/> 16.5"	<input type="checkbox"/> 15"	<input type="checkbox"/> 13"
20"	<input type="checkbox"/> 17.5"	<input type="checkbox"/> 16"	<input type="checkbox"/> 14"



OR

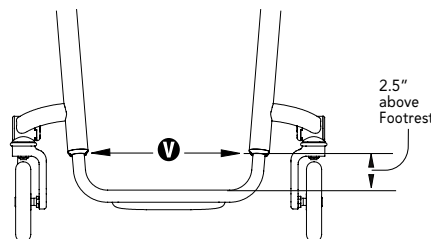
V-FRONT END ⑤ Measure from inside of front frame tube to inside of opposite front frame tube 2-1/2" above footrest. (Titanium Flip-Back Footrest has 1" of adjustment up and down.)

NO V-Front Taper

OR

FOOTREST WIDTH ⑤

- 7" 7.5" 8" 8.5" 9" 9.5"
- 10" 10.5" 11" 11.5" 12" 12.5"
- 13" 13.5" 14" 14.5" 15" 15.5"
- 16" 16.5" 17" 17.5" 18"



TiLite ZRA Series 2 Order Form

FRAME MEASUREMENTS

SEAT BACK TYPE/PUSH HANDLES/SEAT BACK HEIGHT Measure from top of back post to top of seat tube at rear of frame.

SEAT BACK TYPE

- Z2SB1 Folding Aluminum Adjustable Height.....**NCO**
- Z2SB2 Folding Titanium Adjustable Height *(Titanium back will match Frame Finish. Not available with Bolt-On Push Handles.)*.....**\$175**
- Z2SB11 Seat Back that Locks when Folded.....**NCO**

TISHAFT™ BACK RELEASE BARS

- Z2SB3 Aluminum**STD**
- Z2SB4 Titanium.....**\$35**
- Z2SB5 Carbon Fiber.....**\$65**

PUSH HANDLES

- Z2SB6 Integrated Push Handles.....**NCO**
- Z2SB7 Integrated Fold-Down Push Handles *(Requires Tension Adjustable by Straps Back Upholstery.)*.....**\$100**
- Z2SB8 Bolt-On Push Handles *(Includes 4" Deep Backrest Rigidizer Bar. Not available with Ti Back.)*.....**\$175**
- Z2SB9 Bolt-On Height-Adjustable Push Handles *(Includes 4" Deep Backrest Rigidizer Bar. Not available with Ti Back. Limited range with Depth Adjustable Back.)*.....**\$295**

SEAT BACK HEIGHT

Push Handles	Short	Medium	Tall	Set at: <i>(Use 1/2" increments)</i>
None	<input type="checkbox"/> 8.5" - 11.5"	<input type="checkbox"/> 12" - 16.5"	<input type="checkbox"/> 16.5" - 20.5"	Set at: _____
Integrated	<input type="checkbox"/> 10.5" - 12.5"	<input type="checkbox"/> 13.5" - 16.5"	<input type="checkbox"/> 17.5" - 20.5"	Set at: _____
Integrated Fold-Down	<input type="checkbox"/> 13" - 15.5"	<input type="checkbox"/> 14.5" - 19"	<input type="checkbox"/> 18.5" - 21"	Set at: _____

AVAILABLE ON ALL BACKS

- Z2SB12 4" Deep Backrest Rigidizer Bar.....**NCO**
- Z2SB16 Depth Adjustable Back/Frame *(Not Available with 19" or 20" Seat Depths. Seat Depths of 10"-18" allow 2" of rearward adjustment. Not available with Tension Adjustable by Straps Seat Upholstery, Carbon Fiber Side Guards, Desk Arms. Height Adjustable Push Handles have a limited range with Depth Adjustable Back.)*.....**\$185**
- Z2SB13 Custom Height Backrest Rigidizer Bar *(The Standard Rigidizer Bar height is 5" above the Seat Sling for a short, 6-1/4" for a medium and 10-1/4" for a tall. Custom Height Rigidizer Bar must be at least 4-1/2" above Seat Sling or 5-3/4" above Seat Sling when used with 11" - 14" Swing Away Tubular Armrests. Maximum Height is 3" less than Lowest Seat Back Height.)*.....**\$150**

Set at: _____ (Use 1/4" increments)

SEAT BACK ANGLE Measure angle from front of back post to floor. 90° will be perpendicular to the floor. To approximate the angle from the back post to the seat, subtract 2 degrees from measurement for every 1/2" of dump.

- Z2SBA1 80° 83° 86° 89° 92° 95° 98° 101°.....**NCO**

CENTER OF GRAVITY Measure from front of back post at the seat tube to the center of the rear axle. If no center of gravity is selected, chair will ship with the center of gravity in the rearward-most position.

- Z2COG1 0" .25" .5" .75" 1" 1.25" 1.5" 1.75" 2" 2.25" 2.5" 2.75" 3" 3.25" 3.5" 3.75" 4" 4.25" 4.5" 4.75" 5" 5.25" 5.5" 5.75" 6".....**STD**

REAR WHEEL SPACING Measure from outside of seat back post to inside of rear tire. 3/4" Rear Wheel Spacing not available with 0° or 2° Camber .

- Z2RWS1 .75" 1" 1.25" 1.5" 1.75" 2".....**STD**

CAMBER /CAMBER TUBES

- Z2CBR1 0° 2° 4° 6° 8° 12°.....**STD**
- Z2CBR2 15° 18°.....**\$75**
- Z2CBR3 Titanium Camber Tube *(Not available with Power Adaptable Frame.)*.....**\$50**
- Z2CBR6 Carbon Fiber Camber Tube *(Not available with Power Adaptable Frame.)*.....**\$175**
- Z2CBR5 Additional Aluminum Camber Tube 0° 2° 4° 6° 8° 12° 15° 18°.....**\$100**
- Z2CBR4 Additional Titanium Camber Tube 0° 2° 4° 6° 8° 12° 15° 18°.....**\$100**
- Z2CBR7 Additional Carbon Fiber Camber Tube 0° 2° 4° 6° 8° 12° 15° 18°.....**\$225**
- Additional Spacers to Increase Rear Wheel Spacing.....**NCO**

TiLite ZRA Series 2 Order Form

Effective January 1, 2011 (New Items in Red)

TITANIUM RIGID FRAME

Page 6 of 10

CHAIR OPTIONS

FRONT WHEELS

Z2FW1	<input type="checkbox"/> 3"x.75"	Micro-Caster (Not available with Slipstream Fork.).....	STD
Z2FW2	<input type="checkbox"/> 3"x.75"	Light-Up Micro-Caster (Not available with Slipstream Fork.).....	\$65
Z2FW14	<input type="checkbox"/> 4"x.75"	Plastic Wheel w/Poly Tire (Not available with Slipstream Fork.).....	NCO
Z2FW3	<input type="checkbox"/> 4"x.75"	Light-Up Micro-Caster (Not available with Slipstream Fork.).....	\$65
Z2FW19	<input type="checkbox"/> 4"x.75"	Performance 5 Spoke Billet Aluminum Wheel w/Poly Tire <input type="checkbox"/> Silver Hub <input type="checkbox"/> Black Hub.....	\$125
Z2FW20	<input type="checkbox"/> 4"x1"	Performance 5 Spoke 2-Piece Billet Aluminum Wheel w/Soft Roll Tire <input type="checkbox"/> Silver Hub <input type="checkbox"/> Black Hub.....	\$165
Z2FW15	<input type="checkbox"/> 4"x1.5"	Plastic Wheel w/Poly Tire.....	\$80
Z2FW6	<input type="checkbox"/> 5"x1"	Plastic Wheel w/Poly Tire (Not available with 90° Front Angle Ⓛ or with Slipstream Fork.).....	NCO
Z2FW21	<input type="checkbox"/> 5"x1"	Performance 5 Spoke Billet Aluminum Wheel w/Poly Tire <input type="checkbox"/> Silver Hub <input type="checkbox"/> Black Hub (Not available with 90° Front Angle Ⓛ).....	\$145
Z2FW22	<input type="checkbox"/> 5"x1"	Performance 5 Spoke 2-Piece Billet Aluminum Wheel w/Soft Roll Tire <input type="checkbox"/> Silver Hub <input type="checkbox"/> Black Hub (Not available with 90° Front Angle Ⓛ).....	\$185
Z2FW18	<input type="checkbox"/> 5"x1.5"	Plastic Wheel w/Poly Tire (Not available with 90° Front Angle Ⓛ).....	\$80
Z2FW9	<input type="checkbox"/> 6"x1"	Plastic Wheel w/Poly Tire (Not available with 85° or 90° Front Angle Ⓛ or with Slipstream Fork.).....	NCO
Z2FW11	<input type="checkbox"/> 6"x1"	Billet Aluminum Wheel w/Poly Tire <input type="checkbox"/> Silver Hub <input type="checkbox"/> Black Hub (Not available with 85° or 90° Front Angle Ⓛ or with Slipstream Fork.).....	\$165
Z2FW10	<input type="checkbox"/> 6"x1.25"	Plastic Wheel w/Pneumatic Tire (Not available with 85° or 90° Front Angle Ⓛ or with Slipstream Fork.).....	\$65
Z2FW12	<input type="checkbox"/> 6"x1.25"	Billet Aluminum Wheel w/Pneumatic Tire <input type="checkbox"/> Silver Hub <input type="checkbox"/> Black Hub (Not available with 85° or 90° Front Angle Ⓛ or with Slipstream Fork.).....	\$165
Z2FW13	<input type="checkbox"/> 6"x1.25"	2-Piece Billet Aluminum Wheel w/Soft Roll Tire (Not available with 85° or 90° Front Angle Ⓛ or with Slipstream Fork.).....	\$195
Z2FW0	<input type="checkbox"/>	Omit Front Wheels (Must Choose Wheel Size Above).....	-\$20

FRONT FORKS

Z2FK1	<input type="checkbox"/>	TiLite Standard Fork.....	STD
Z2FK2	<input type="checkbox"/>	TiLite Slipstream Single-Sided Fork.....	\$150
Z2FRG1	<input type="checkbox"/>	Frog Legs® Suspension Forks (Available in Black anodize only.).....	\$395 E1015
Z2TS1	<input type="checkbox"/>	Titanium Fork Stems (Not available with Frog Legs®).....	\$50

REAR WHEELS See Rear Seat Height Ranges chart on Page 3 for Rear Seat Height **Ⓛ** limitations.

Z2RW3	Spinergy WIRE Wheel w/Low Flange Hub	STD
	<input type="checkbox"/> 20" (451)	
	<input type="checkbox"/> 22" (501)	
	<input type="checkbox"/> 24" (540)	
	<input type="checkbox"/> 25" (559) (Requires 15" minimum Seat Depth Ⓛ .)	
	<input type="checkbox"/> 26" (590) (Requires 15" minimum Seat Depth Ⓛ .)	
Z2RW5	TiLite Wheel w/High Flange Hub	\$250
	<input type="checkbox"/> 24" (540)	
	<input type="checkbox"/> 25" (559) (Requires 15" minimum Seat Depth Ⓛ .)	
	<input type="checkbox"/> 26" (590) (Requires 15" minimum Seat Depth Ⓛ .)	
Z2RW7	Spinergy SPOX <input type="checkbox"/> Black <input type="checkbox"/> Red <input type="checkbox"/> Yellow <input type="checkbox"/> Blue <input type="checkbox"/> White	\$695
	<input type="checkbox"/> 22" (501) - Std. Hub	
	<input type="checkbox"/> 24" (540) - Std. Hub	
	<input type="checkbox"/> 25" (559) - Std. Hub (Requires 15" minimum Seat Depth Ⓛ .)	
	<input type="checkbox"/> 26" (590) - Sport Hub (Requires 15" minimum Seat Depth Ⓛ .)	
Z2RW8	Spinergy LX <input type="checkbox"/> Black <input type="checkbox"/> Red <input type="checkbox"/> Yellow <input type="checkbox"/> Blue <input type="checkbox"/> White <input type="checkbox"/> Go Green <input type="checkbox"/> Bright Orange <input type="checkbox"/> Flamingo Pink (Please allow an additional 2-3 weeks delivery on Go Green, Bright Orange and Flamingo Pink.)	\$895
	<input type="checkbox"/> 22" (501) - Std. Hub	
	<input type="checkbox"/> 24" (540) - Std. Hub	
	<input type="checkbox"/> 25" (559) - Std. Hub (Requires 15" minimum Seat Depth Ⓛ .)	
	<input type="checkbox"/> 26" (590) - Sport Hub (Requires 15" minimum Seat Depth Ⓛ .)	
Z2RW11	Skyway Mags <input type="checkbox"/> 22" <input type="checkbox"/> 24"	\$50
Z2RW0	<input type="checkbox"/> Omit Rear Wheels (Must Choose Wheel Size and Tire Type Below.).....	-\$50

AXLES

Z2AXL1	<input type="checkbox"/> Stainless Quick Release.....	STD
Z2AXL2	<input type="checkbox"/> Titanium Quick Release (Not available with TiLite High Flange Hub, Spinergy WIRE, Skyway Mags, 26" (590) Spinergy SPOX or LX Rear Wheels or Power Adaptable Frame.).....	\$195
Z2AXL3	<input type="checkbox"/> Quad Release (Not available with Skyway Mags.).....	\$95

TiLite ZRA Series 2 Order Form

Effective January 1, 2011 (New Items in Red)

TITANIUM RIGID FRAME

Page 7 of 10

CHAIR OPTIONS

PNEUMATIC REAR TIRES

Z2RTR1 <input type="checkbox"/> Treaded (Not available with 25"(559) Rear Wheels.)	STD	
Z2RTR2 <input type="checkbox"/> Airless Inserts	\$80	E2213
Z2RTR3 <input type="checkbox"/> 25" Primo Treaded (Standard with 25"(559) Rear Wheels.).....	STD	
Z2RTR4 <input type="checkbox"/> Primo	NCO	
Z2RTR5 <input type="checkbox"/> 24", 25" and 26" Kenda® High Pressure (110psi) <input type="checkbox"/> Grey <input type="checkbox"/> Red <input type="checkbox"/> Blue.....	\$85	
Z2RTR6 <input type="checkbox"/> 24" Grey Knobby (Requires TiLite Wheel with High Flange Hub.).....	\$95	
Z2RTR7 <input type="checkbox"/> 26" Black Knobby (Requires TiLite Wheel with High Flange Hub or Spinergy SPOX or Spinergy LX Rear Wheels.).....	\$95	
Z2RTR8 <input type="checkbox"/> 24", 25" and 26" Schwalbe® Marathon Plus Evolution.....	\$110	
Z2RTR9 <input type="checkbox"/> 24" and 25" Schwalbe® SpeedRun.....	\$125	

SOLID REAR TIRES

Z2RTR10 <input type="checkbox"/> 20" (451) Street Tread.....	\$65
Z2RTR11 <input type="checkbox"/> 22" (501) Pyramid.....	\$75
Z2RTR13 <input type="checkbox"/> 24"(540) and 25"(559) Herringbone Tread.....	\$90
Z2RTR15 <input type="checkbox"/> 24"(540) and 25"(559) Treaded.....	\$90

HANDRIMS

Handrim Type (If the Rugged Edition is selected on Page 2, please select two sets of handrims and indicate SPOX or HF next to each of your selections to indicate that they should be attached to either the Spinergy SPOX or TiLite High Flange Rear Wheels.)

Z2RIM1 <input type="checkbox"/> Aluminum – Silver Anodized.....	STD
Z2RIM2 <input type="checkbox"/> Titanium (Not available with Skyway Mags, 20" or 22" Rear Wheels, or 24" Knobby tires.)	
<input type="checkbox"/> Satin Finish.....	\$400
<input type="checkbox"/> Polished Finish.....	\$550
Z2RIM3 <input type="checkbox"/> The Natural-Fit® (Original, Larger Profile) (Not available with Skyway Mags.)	
<input type="checkbox"/> Standard Grip (Not available with short tabs.).....	\$295
<input type="checkbox"/> Super Grip (Not available with short tabs.).....	\$340
<input type="checkbox"/> Without Thumb Grip.....	\$270
Z2RIM4 <input type="checkbox"/> The Natural-Fit® LT (Reduced Weight, Smaller Profile) (Not available with Skyway Mags.)	
<input type="checkbox"/> Standard Grip (Not available with short tabs.).....	\$325
<input type="checkbox"/> Super Grip (Not available with short tabs.).....	\$370
<input type="checkbox"/> Without Thumb Grip.....	\$300
Z2RIM9 <input type="checkbox"/> Spinergy FlexRim (Available only on 24" and 25" Spinergy LX Rear Wheels. Please allow an additional 2-3 weeks delivery.)	\$495
Z2RIM5 <input type="checkbox"/> Plastic Coated – Black.....	\$95
Z2RIM6 <input type="checkbox"/> Projections - 8 Vertical Projections (Not available with 20", 22" or 26" Rear Wheels or Skyway Mags.).....	\$240
Z2RIM0 <input type="checkbox"/> Omit Handrims.....	-\$15

Tab Length

Z2RIM7 <input type="checkbox"/> Long Tabs.....	STD
Z2RIM8 <input type="checkbox"/> Short Tabs (Not available with Skyway Mags or The Natural-Fit® Handrims with Thumb Grip.).....	\$15

WHEEL LOCKS

Z2WLK1 <input type="checkbox"/> Standard Push to Lock (Available with .75" to 1.5" Rear Wheel Spacing ① only. (Not available with 13" or shorter Seat Depth ② or extension handles.)	NCO	
Z2WLK2 <input type="checkbox"/> Composite Scissor Lock.....	\$110	
Z2WLK5 <input type="checkbox"/> Black Aluminum Scissor Lock.....	\$135	
Z2WLK3 <input type="checkbox"/> Uni-Lock Set At: <input type="checkbox"/> Push <input type="checkbox"/> Pull.....	\$135	
Z2WLK4 <input type="checkbox"/> Extension Handles for Uni-Lock.....	\$50	E0961

UPHOLSTERY COLORS

Z2UPC1 <input type="checkbox"/> Black.....	STD
Z2UPC2 Ultrasuede Backrest Stripe (See photo on page 1.) <input type="checkbox"/> Black <input type="checkbox"/> Sapphire <input type="checkbox"/> Red Pepper <input type="checkbox"/> Burnt Orange	
<input type="checkbox"/> Sub-Lime <input type="checkbox"/> Ultraviolet <input type="checkbox"/> Espresso.....	\$70

BACK UPHOLSTERY

Z2BUP2 <input type="checkbox"/> Velcro Adjustable (Not available with Fold-Down Push Handles.).....	STD	
Z2BUP3 <input type="checkbox"/> Tension Adjustable by Straps (Required with Fold-Down Push Handles.).....	\$150	
Z2BUP0 <input type="checkbox"/> Omit Back Upholstery.....	NCO	
Z2BUP4 <input type="checkbox"/> Ride Designs® Corbac™ Adjustable Contour Back Support (Black Only. Not available with Fold-Down Push Handles. See Chart on page 8.)	\$455	E2611

CHAIR OPTIONS

CORBAC™ SEAT WIDTH/BACK HEIGHT AVAILABILITY CHART

Rear Seat Width A	Seat Back Height B
14"	13" - 15"
15"	13" - 16"
16"	14" - 16"
17"	14" - 16"
18"	14" - 16"

SEAT UPHOLSTERY

- Z2SUP1 Tension Adjustable Bolt On (Not available with Tapered Seat **F**. Black upholstery only.).....**STD**
- Z2SUP2 Tension Adjustable by Straps (Standard Front Seat Width (Seat Taper) **F** of 1.5" and 2.5". Black upholstery only.
Not available with Depth Adjustable Back.).....**\$150**
- Z2SUP3 G10 Solid Seat (Not available with 10" or 11" Rear Seat Width **A**.).....**\$225 E2618**
- Z2SUP0 Omit Seat Upholstery.....**NCO**

SEAT CUSHIONS

- Z2CSH1 Foam Cushion 2" 3" 4".....**\$95**
- Z2CSH2 StimuLITE® Sport (2" Black 13"x15" to 20"x20") (Please allow an additional 2-3 weeks delivery. Black upholstery only.).....**\$495 E2603**
- Z2CSH3 Corbee® (2" Black 10"x10" to 16"x16") (Please allow an additional 2-3 weeks delivery. Black upholstery only.).....**\$495 E2603**
- Z2CSH4 ROHO® Low Profile® Quadro Select® (Please allow an additional 2-3 weeks delivery. Black upholstery only.).....**\$525 K0736**
- Z2CSH5 ROHO® Custom (Please allow an additional 2-3 weeks delivery. Black upholstery only.).....**\$625 K0734**
- Z2CSH6 VARILITE® Evolution™ (Black Only, See Chart Below.).....**\$495 K0734**
- Z2CSH7 VARILITE® Zoid™ (Black Only, See Chart Below.).....**\$495 K0734**

VARILITE® SEAT CUSHION AVAILABILITY CHART

Seat Width A	Seat Depth B	
	VARILITE® Evolution™	VARILITE® Zoid™
12"	14"	8", 12", 14"
13"	NONE	NONE
14"	14", 16", 18", 20"	14", 16", 18"
15"	15", 17"	15", 17"
16"	14", 16", 18", 20"	16", 18", 20"
17"	17"	17"
18"	16", 18", 20"	16", 18", 20"
19"	NONE	NONE
20"	16", 18", 20"	16", 18", 20"

SIDE GUARDS

- Z2SDG1 Cloth (Not available with Ride Designs® Corbac™ back support.).....**\$45**
- Aluminum**
 - Z2SDG2 Rigid Removable Small Std.....**\$175**
 - Z2SDG3 Quad Removable w/Hole Small Std.....**\$185**
 - Z2SDG4 Fold Down Rigid Small Std.....**\$295**
 - Z2SDG6 Fendered Adjustable (Available with 24" and 25" Rear Wheels. Requires Rear Seat Height **B** of 14.5" to 18.5".).....**\$295**
- Carbon Fiber** (Not available with Depth Adjustable Back/Frame.)
 - Z2SDG7 Rigid Removable Small Std.....**\$270**
 - Z2SDG8 Quad Removable w/Hole Small Std.....**\$280**
 - Z2SDG9 Fold Down Rigid Small Std.....**\$400**
 - Z2SDG12 Fendered Removable.....**\$395**
- Available on Aluminum and Carbon Fiber Non-Fendered Side Guards**
 - ZSDG13 Side Guards Custom Cut to Profile of Rear Wheels (Not available with Cloth.).....**\$275**

ARMRESTS

- Z2ARM1 Swing Away Tubular (Not available with Depth Adjustable Back/Frame.) 9" to 12" 11" to 14".....**\$195 E0973**
- Z2ARM4 Swing Away - Flip Back Tubular.....**\$275 E0973**
- Z2ARM2 Removable Height Adjustable Desk Arm with Rigid Side Guard (Not available with Depth Adjustable Back/Frame.
Requires 14" minimum Seat Depth **B**.).....**\$350 E0973**
 - 9" to 12" 12" to 15"
 - Standard Length Pad (10") Full Length Pad (14")
- Z2ARM3 Removable Height Adjustable Desk Arm with Rigid Side Guard and Transfer Loop**\$395 E0973**
 - (Not available with Depth Adjustable Back/Frame. Requires 15" minimum Seat Depth **B**.)
 - 9" to 12" 12" to 15"
 - Standard Length Pad (10") Full Length Pad (14")
- Available on all Armrests**
 - Covered in Black Ultrasuede.....**\$75**

TiLite ZRA Series 2 Order Form

Effective January 1, 2011 (New Items in Red)

TITANIUM RIGID FRAME

Page 9 of 10

CHAIR OPTIONS

SEAT BELTS

Z2BLT1 <input type="checkbox"/> Velcro Adjustable, Black Nylon Webbing.....	\$45	E0978
Z2BLT2 <input type="checkbox"/> Bodypoint® Auto-Style Release Buckle.....	\$85	E0978

CALF STRAP

Z2CLF1 <input type="checkbox"/> Buckle Adjustable, Black Nylon Webbing.....	\$25	K0038
Z2CLF2 <input type="checkbox"/> Velcro Adjustable	\$35	K0038
<input type="checkbox"/> Xtra Small (Recommended for 10" - 13" Seat Widths)		
<input type="checkbox"/> Small (Recommended for 12" - 15" Seat Widths)		
<input type="checkbox"/> Medium (Recommended for 14" - 18" Seat Widths)		
<input type="checkbox"/> Large (Recommended for 17" - 19" Seat Widths)		
<input type="checkbox"/> Xtra Large (Recommended for 18" - 20" Seat Widths)		
Z2CLF3 <input type="checkbox"/> Bodypoint Padded Velcro Adjustable	\$75	K0038
<input type="checkbox"/> Small (Recommended for 10" - 11" Seat Widths)		
<input type="checkbox"/> Medium (Recommended for 12" - 15" Seat Widths)		
<input type="checkbox"/> Large (Recommended for 16" - 20" Seat Widths)		

BACK PACK

Z2BCK1 <input type="checkbox"/> Small - Black Nylon	\$50
Z2BCK2 <input type="checkbox"/> Large - Black Nylon.....	\$65

SEAT POUCH

Z2PCH1 <input type="checkbox"/> Small - Black Nylon.....	\$40
Z2PCH2 <input type="checkbox"/> Large - Black Nylon.....	\$45

SPOKE GUARDS

Z2GRD1 <input type="checkbox"/> Clear with TiMotion Logo (<i>Not available with Skyway Mags or 20" Rear Wheels.</i>)	\$110	K0065
--	-------	-------

ANTI-TIPS

Z2TIP1 <input type="checkbox"/> Black Aluminum.....	\$135	E0971
Z2TIP2 <input type="checkbox"/> User Friendly Flip-up.....	\$245	E0971

ACCESSORIES

Z2LUG1 <input type="checkbox"/> Luggage Carriers.....	\$125	
Z2MPCT1 <input type="checkbox"/> Black Neoprene Impact Guards.....	\$75	
Z2MPCT2 Ultrasuede Stripe on Neoprene Impact Guards <input type="checkbox"/> Sapphire <input type="checkbox"/> Red Pepper <input type="checkbox"/> Burnt Orange		
<input type="checkbox"/> Sub-Lime <input type="checkbox"/> Ultraviolet <input type="checkbox"/> Espresso.....	\$95	
Z2CAT1 <input type="checkbox"/> Catch-All.....	\$45	
Z2CH1 <input type="checkbox"/> Crutch Holder.....	\$65	E2207
Z2TS1 TiLite T-Shirt <input type="checkbox"/> Small <input type="checkbox"/> Medium <input type="checkbox"/> Large <input type="checkbox"/> X-Large <input type="checkbox"/> XX-Large.....	\$20	
Z2TIP5 <input type="checkbox"/> Front Roller (<i>Requires that Seat to Footrest Measurement be at least 3" shorter than Front Seat Height</i>).....	\$95	
Z2HS1 <input type="checkbox"/> TiLite 9 Piece SAE Round Handle Folding Hex Key Set.....	\$20	
Z2AFP1 4" Logo Patch <input type="checkbox"/> Army <input type="checkbox"/> Navy <input type="checkbox"/> Air Force <input type="checkbox"/> Marines	\$50	
Z2AFP2 Name Tape Patch <input type="checkbox"/> Army <input type="checkbox"/> Navy <input type="checkbox"/> Air Force <input type="checkbox"/> Marines	\$50	
Z2AFP3 <input type="checkbox"/> Combat Wounded Purple Heart Patch.....	\$50	

DESIGNS UNLIMITED



TiLite's ZRA Series 2 offers more than 15 million different frame combinations! But sometimes even that's not enough. If you would like to customize your TiLite, check out the Designs Unlimited Studio at tilite.com. There you will find drawings and pricing for hundreds of creative solutions to customers' customization requests. We call these "D.U.'s." If you don't find the D.U. you're looking for, contact the TiLite Customer Service Team at 800.545.2266 or customerservice@tilite.com and we'll design a D.U. just for you. Designs Unlimited customization may add an additional 2 to 3 weeks to the ship time of your chair.

TILITE ORDERING PROCESS

Upon submitting this Order Form, you will receive either a TiLite QUOTE or a TiLite ORDER CONFIRMATION. Please CAREFULLY EXAMINE the QUOTE or ORDER CONFIRMATION for NOTES written by TiLite's Customer Service Team. These notes must be addressed by you before TiLite can process your order. The FOOTNOTES contained in this Order Form are CRITICAL. Please REVIEW all FOOTNOTES while completing the Order Form. If you have requested a DRAWING of this chair, a copy of the drawing SIGNED by YOU must be received by TiLite before TiLite can process the order.

GENERAL

TiLite manufactures a wide variety of wheelchairs to meet the varied needs of wheelchair users. The final selection of a particular model, its options and accessories, and its measurements rests solely with the wheelchair user and advising healthcare professional. TiLite wheelchairs must be fitted by a qualified healthcare professional. HCPCS Codes are for reference purposes only. Actual coding and coverage varies by payer. Proper HCPCS coding is not a guarantee of payment. Please verify the appropriate payer's coverage policy.

Get the latest order forms at tilite.com Prices, standard features, options and accessories are subject to change without notice. All rights reserved. Trademarks are identified by symbols™ and ®. TiLite, the TiLite logo, Ti, the Ti logo, The Titanium Experts, TiShaft and The Ultimate Ride are registered trademarks of TiSport, LLC. Adobe®, Acrobat®, Acrobat Professional® and Reader® are registered trademarks of Adobe Systems Inc. Bodypoint® is a registered trademark of Bodypoint Inc. Frog Legs® is a registered trademark of Frog Legs, Inc. Kenda® is a registered trademark of Kenda Rubber Industrial Co Ltd. Ride Designs® and Corbac® are registered trademark of Aspen Seating, LLC. ROHO®, Low Profile® and Quadtro Select® are registered trademarks of ROHO Inc. Schwalbe® is a registered trademark of Ralf Bohle GmbH. Supracor®, Stimulite® and Corbee® are registered trademarks of Supracor, Inc. The Natural-Fit® is a registered trademark of Three Rivers Holdings, LLC. Inc. Varilite® is a registered trademark of Cascade Designs, Inc.

NOTES

If you are using Adobe® Acrobat®, this order form may be converted into a quote request or into an order by clicking one of the buttons below (this feature is available exclusively to TiLite dealers and distributors). A TiLite Quote or a TiLite Order Confirmation will be sent to you within 24 hours.

QUOTE THIS CHAIR

ORDER THIS CHAIR