

Rear Seat Height and Wheels continued

Handrim

Standard Handrims

- Aluminum Anodized _____ Std
- Superlight Aluminum Anodized ** _____ \$63
Available only on 24" and 25" Superlight and Spinergy wheels. Not available with Heavy Duty Option.
- Plastic Coated _____ \$119
- Projection (8 Vertical Projections) _____ \$299
Available on 22", 24", 25" and 26" Spoke wheels & 24" Mag wheels w/full tires. Clinical justification required.
- Spinergy Flex Rim ** _____ \$595
Available only on 24" and 25" Spinergy LX wheels
- Omit Handrim _____ N/C

Natural Fit Handrims

Not available on 20" rear wheel or 22" Mag wheels. Not recommended with Mag wheels.

- Natural Fit LT Regular Grip ** _____ \$445
- Natural Fit Standard Regular Grip ** _____ \$445
- Natural Fit LT Super Grip ** _____ \$495
- Natural Fit Standard Super Grip ** _____ \$495
- Natural Fit LT Omit Grip ** _____ \$345
- Natural Fit Standard Omit Grip ** _____ \$345

Handrim Option

- 3M Micro Grip ** _____ \$81
Not available on Plastic Coated or Projection Handrims

Axle

- Quick Release _____ Std
- Quad Quick Release _____ \$231
Not available with Mag wheels

Wheel Locks

Wheel Lock

- Push to Lock _____ Std
- Push to Lock Flush Mount _____ N/C
- Pull to Lock _____ N/C
- Under Seat Scissor Lock _____ N/C
- Low Profile Scissor Lock _____ \$35
Not available with Low Poly, Full Poly or Sentinel Solid tires
- Short Thro Scissor Lock ** _____ \$156
- Omit Wheel Locks _____ N/C

Armrests

Armrest Please select Arm Pad option

- Height Adjustable T-Arm (8.5" - 13.5") _____ \$325
1.5" minimum Rear Wheel Spacing
- Height Adjustable T-Arm Low (7.5" - 11.5") _____ \$325
1.5" minimum Rear Wheel Spacing

Arm Pad

Not available with Swing Away Armrests

- Desk Full

Center of Gravity Preset

Measured from front of back post to center of rear axle. 0" indicates axle will be directly under back post. See reference J on page 6.

Amputee Positions

<input type="checkbox"/> -1.5"	<input type="checkbox"/> -1.25"	<input type="checkbox"/> -1"	<input type="checkbox"/> -.75"
<input type="checkbox"/> -.5"	<input type="checkbox"/> -.25"	<input type="checkbox"/> 0"	<input type="checkbox"/> .25"

Standard Positions

<input type="checkbox"/> .5"	<input type="checkbox"/> .75"	<input type="checkbox"/> 1"	<input type="checkbox"/> 1.25"
<input type="checkbox"/> 1.5"	<input type="checkbox"/> 1.75"	<input type="checkbox"/> 2"	<input type="checkbox"/> 2.25"
<input type="checkbox"/> 2.5"	<input type="checkbox"/> 2.75"	<input type="checkbox"/> 3"	<input type="checkbox"/> 3.25"
<input type="checkbox"/> 3.5"	<input type="checkbox"/> 3.75"	<input type="checkbox"/> 4"	<input type="checkbox"/> 4.25"

Rear Wheel Spacing

Measured from outside of back to inside of rear tire. Adjustable out 1/2" from setting. 1.5" minimum Rear Wheel Spacing with Height Adjustable T-Arm Armrest. 1" minimum Rear Wheel Spacing with 0° Rear Wheel Camber. See reference K on page 6.

- .75" 1" 1.25" 1.5" 1.75"

Rear Wheel Camber

- 0° 2° 4° 6° 8°

Wheel Lock Options

- Extension Handles _____ \$84
Available only with Push to Lock or Pull to Lock Wheel Locks
- Grade Aids _____ \$187
Available only with Push to Lock Wheel Locks and Pneumatic or Pneumatic with Airless Insert Rear Tire Types

Armrest continued

- Swing Away (8.5" - 12.5") _____ \$195
Not available with Arm Pads
- Swing Away with Side Guard (8.5" - 12.5") ** _____ \$395
Includes direct mount receiver. Not available with Arm Pads.
- Omit Armrests _____ N/C

Select store location - AADL Numbers

- Calgary - AADL 00000 78000 003
- Edmonton - AADL 00000 78000 001
- Grande Prairie - AADL 0000 665538 001

Side Guards

Removable Side Guards	
<i>Not available with T-Arm Armrests</i>	
<input type="checkbox"/> Composite Side Guards - Direct Mount Receiver	\$175
<input type="checkbox"/> Composite Side Guards - Clamp-on Receiver	\$200
<input type="checkbox"/> Fender Side Guards **	\$350
<i>Includes clamp-on receiver</i>	

Fabric Side Guard	
<i>Not available with T-Arm Armrests or when omitting Back Upholstery</i>	
<input type="checkbox"/> Fabric Side Guards	\$106

Accessories

Anti-Tip	
<input type="checkbox"/> Rear Anti-Tips	\$140

Calf Strap	
<input type="checkbox"/> Velcro Adjustable	\$59
<input type="checkbox"/> Padded Velcro Adjustable **	\$85
<input type="checkbox"/> Bodypoint Padded AeroMesh **	\$123

Positioning Belt	
<input type="checkbox"/> 1 1/2" Auto Buckle	\$22
<input type="checkbox"/> 1 1/2" Padded Auto Buckle **	\$170
<input type="checkbox"/> 1" Auto Buckle **	\$80
<input type="checkbox"/> 1" Padded Auto Buckle **	\$170
<input type="checkbox"/> 2" Airline Buckle **	\$150
<input type="checkbox"/> Bodypoint Evoflex - Pelvic Stabilizer **	\$219
Size: <input type="checkbox"/> Small (16-24") <input type="checkbox"/> Medium (19-29") <input type="checkbox"/> Large (25-37")	

Belt Mounting Kit	
<input type="checkbox"/> Ki Mobility Belt Mounting Clamp	\$50
<i>Required to mount ASB</i>	
<input type="checkbox"/> Bodypoint Belt Mounting Bracket Kit **	\$126

Frame Color

Gloss Finish	
<input type="checkbox"/> Black	N/C
<input type="checkbox"/> Blue	N/C

Seat Pan	
<input type="checkbox"/> Solid Seat Pan **	\$245
<i>Seat Pan is 1" longer when Long Sling option is selected</i>	

Other Accessories	
<input type="checkbox"/> Tool Kit **	\$45
<input type="checkbox"/> Removable Underseat Pouch **	\$50
<input type="checkbox"/> Ki Mobility Backpack **	\$65
<input type="checkbox"/> Luggage Carrier **	\$120
<input type="checkbox"/> Black Neoprene Impact Guards **	\$85
<input type="checkbox"/> Under Chair Carrier and Removable Bag **	\$85
<input type="checkbox"/> Clear Spoke Guards **	\$144
<i>Not available with Mag wheels</i>	
<input type="checkbox"/> Black Spoke Guards **	\$144
<i>Not available with 20" rear wheel or Mag wheels</i>	
<input type="checkbox"/> Cane and Crutch Holder **	\$195

Select store location - AADL Numbers

- Calgary - AADL 00000 78000 003
- Edmonton - AADL 00000 78000 001
- Grande Prairie - AADL 0000 665538 001

References

A. Seat Width See Diagram 1

Measured from outside of frame tube on one side to outside of frame tube on other side.

B. Seat Depth See Diagram 3

Measured from front of back posts to front edge of seat sling. Seat sling starts at beginning of bend at front of frame.

C. Sling Position See Diagram 2

In Performance Position (0°), sling is at front of frame to keep chair shorter and more maneuverable. The 1" or 2" seat sling position extends the frame in front of the sling by that amount. Adding more frame can improve stability and provide support to aid in transfers.

D. Front Frame Bend See Diagram 3

Angle between front seat tube and ground.

E. Footrest Taper See Diagram 1

Indicates bend of front frame creating footrest. Taper is measured from outside of seat frame to outside of front tube.

F. Front Seat Height See Diagram 1

Measured from floor to top of seat tube at front of seat sling.

G. Footrest Width See Diagram 1

Measured from inside of front tube to inside of front tube on other side. Footrest width is listed below for each seat width and taper.

Seat Width	Straight	1" Taper	2" Taper
Outside Measurement	2" Narrower than Seat Width	4" Narrower than Seat Width	6" Narrower than Seat Width
14"	11.5"	9.5"	
15"	12.5"	10.5"	
16"	13.5"	11.5"	9.5"
17"	14.5"	12.5"	10.5"
18"	15.5"	13.5"	11.5"
19"	16.5"	14.5"	12.5"
20"	17.5"	15.5"	13.5"
21"	18.5"	16.5"	14.5"
22"	19.5"	17.5"	15.5"

H. Seat to Footrest Length See Diagram 3

Measured from front edge of seat sling to top rear of footrest. Footrest length of at least 2.5" shorter than front seat height recommended.

I. Rear Seat Height See Diagram 3

Measured from floor to top of seat tube at front of back post. Rear seat height is custom to needs.

J. Center of Gravity Preset See Diagram 3

Measured from front of back post to center of rear axle. 0" indicates axle will be directly under back post.

K. Rear Wheel Spacing See Diagram 1

Measured from outside of seat back to inside of rear tire. Adjustable out .5" from setting.

Diagram 1

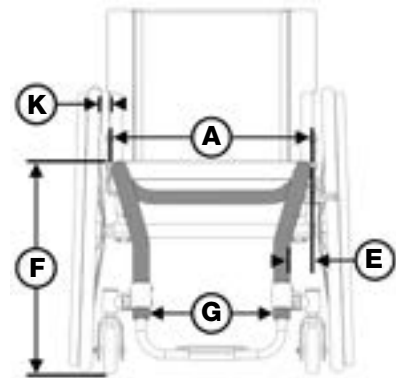


Diagram 2

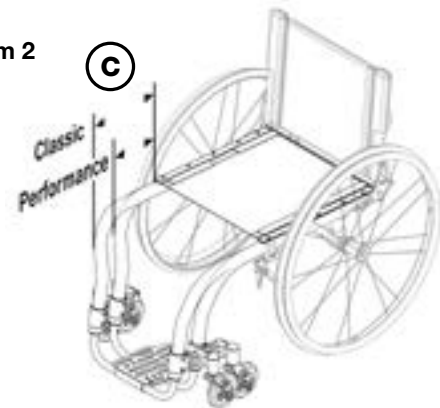


Diagram 3

