

Select store location - AADL Numbers

- Calgary - AADL 00000 78000 003
- Edmonton - AADL 00000 78000 001
- Grande Prairie - AADL 0000 665538 001

Rear Seat Height and Wheels continued

Rear Wheel Spacing **Center of Gravity Preset**

Adjustable up to .5" outward. Minimum spacing with offset frame is 1.25" with 0° camber, 1" with 2° or 4° camber and .75" with 6° or 8° camber. .75" minimum with 0° camber on standard frame. No selection needed with One Arm Drive. See Reference J on page 6.

- .5" .75" 1" 1.25" 1.5" 1.75"

Rear Wheel Camber

0° Camber and Mag wheel combination requires 1" minimum Rear Wheel Spacing

- 0° 2° 4° 6° 8°

Wheel Locks

Wheel Lock

- Push to Lock _____ Std
- Push to Lock Flush Mount _____ N/C
Not available with Seat Depths less than 11" or Offset Frame
- Pull to Lock _____ N/C
- Low Profile Scissor Lock _____ \$25
Not available with Low Poly, Full Poly, Sentinel tires or Offset Hangers
- Short Thro Scissor Lock ** _____ \$156
- Omit Wheel Locks _____ N/C

Armrests

Armrest Please select Arm Pad option

- Height Adjustable T-Arm (8.5" - 13.5") _____ \$285
Not available with Seat Depths less than 13". 16" minimum Seat Depth with Offset Frame. 1.25" minimum Rear Wheel Spacing.
- Height Adjustable T-Arm Low (7.5" - 11.5") _____ \$285
Not available with Seat Depths less than 12". 13" minimum Seat Depth with Offset Frame. 1.25" minimum Rear Wheel Spacing.
- Height Adjustable Pediatric Desk (6.5" - 10") _____ N/C
Not available with Seat Depths less than 12". 13" minimum Seat Depth with Offset Frame. 1.25" minimum Rear Wheel Spacing.
- Angle Adjustable Locking Extendable Flip Up ** _____ \$295
Requires Fixed Height Backrest. Not available with backrest heights less than 12".

Side Guards

Removable Side Guards

Not available with Height Adjustable Armrests

- Composite Side Guards - Adult (14" - 16") _____ \$160
Seat Depth plus Sling Position must be at least 12"
- Composite Side Guards - Pediatric (10" - 14") _____ \$155
Seat Depth plus Sling Position must be at least 10"

Center of Gravity Preset

Measured from front of back post to center of rear axle. 0" indicates axle will be directly under back post. 2" minimum Center of Gravity with 5th Wheel and One Arm Drive. See reference I on page 6.

Amputee Positions

<input type="checkbox"/> -1.5"	<input type="checkbox"/> -1.25"	<input type="checkbox"/> -1"	<input type="checkbox"/> -.75"
<input type="checkbox"/> -.5"	<input type="checkbox"/> -.25"	<input type="checkbox"/> 0"	<input type="checkbox"/> .25"

Standard Positions

<input type="checkbox"/> .5"	<input type="checkbox"/> .75"	<input type="checkbox"/> 1"	<input type="checkbox"/> 1.25"
<input type="checkbox"/> 1.5"	<input type="checkbox"/> 1.75"	<input type="checkbox"/> 2"	<input type="checkbox"/> 2.25"
<input type="checkbox"/> 2.5"	<input type="checkbox"/> 2.75"	<input type="checkbox"/> 3"	<input type="checkbox"/> 3.25"
<input type="checkbox"/> 3.5"	<input type="checkbox"/> 3.75"	<input type="checkbox"/> 4"	<input type="checkbox"/> 4.25"

Axle

- Quick Release _____ Std
- Quad Quick Release ** _____ \$219
Not available with Mag wheels

Wheel Lock Options

- Extension Handles _____ \$60
Available only with Push to Lock or Pull to Lock Wheel Locks
- Grade Aids _____ \$187
Available only with Push to Lock Wheel Locks and Pneumatic or Pneumatic w/ Airless Insert Rear Tire Types. Clinical justification required.

Arm Pad

Not available with Tubular Flip Up or Swing Away Armrests. Full Arm Pads not available with Height Adjustable Pediatric Desk Armrests.

- Standard Arm Pad _____ N/C Desk Full
- Waterfall Arm Pad ** _____ \$35 Desk Full
Not available with Angle Adjustable Locking Flip Up Extendable Armrests
- Foam Grip _____ N/C Desk Full
Available only with Angle Adjustable Locking Extendable Flip Up Armrest

Armrest continued

- Tubular Flip Up _____ \$50
Not available with Arm Pads and Back Heights less than 13". Requires Fixed Height Backrest.
- Short Swing Away (7" - 9") _____ \$215
Not available with Arm Pads or Outward Offset Back Posts. If selection is not available with rear wheel and rear seat height configuration, then Tall Swing Away armrest will be used.
- Tall Swing Away (9.25" - 11.25") _____ \$215
Not available with Arm Pads or Outward Offset Back Posts
- Omit Armrests _____ N/C

- Fender Side Guards ** _____ \$350
Not available with 18 rear wheel, Rear Seat Heights less than 18" or Seat Depths less than 10". Maximum Center of Gravity is 2".

Select store location - AADL Numbers
 Calgary - AADL 0000 78000 003
 Edmonton - AADL 0000 78000 001
 Grande Prairie - AADL 0000 665538

Accessories

5th Wheel

Rotating removable rear caster. Not available with Anti-Tips.

- Standard 5th Wheel ** \$235
 - Dynamic 5th Wheel ** \$255
- Elastomer: Soft Firm
Both elastomers are included; the selected elastomer will be installed

Anti-Tip

Not available with 5th wheel

- Rear Anti-Tips \$128

Positioning Belt

- 1" Auto Buckle \$22
 - 1" Padded Auto Buckle ** \$170
 - 1 1/2" Auto Buckle ** \$80
 - 1 1/2" Padded Auto Buckle ** \$170
 - 2" Airline Buckle ** \$150
 - Bodypoint Evoflex - Pelvic Stabilizer ** \$219
- Size: Small (16-24") Medium (19-29") Large (25-37")

Belt Mounting Kit

- Ki Mobility Belt Mounting Clamp \$75

Color

Frame and Accent

Select desired frame and accent colors. Accent color is used on backrest rigidizer bar and front caster wings; if no accent color is selected, frame color will be used.

Gloss Finish	Frame	Accent
Black _____ N/C	<input type="checkbox"/>	<input type="checkbox"/>
Blue _____ N/C	<input type="checkbox"/>	<input type="checkbox"/>

Calf Strap 001

Not available with 8" or 9" wide chairs

- Velcro Adjustable \$59
- Padded Velcro Adjustable ** \$85
- Bodypoint Padded AeroMesh ** \$123

Spoke Guards

- Clear Spoke Guards ** \$144
Not available with Mag wheels
- Black Spoke Guards ** \$144
Not available with 18" or 20" rear wheels or Mag wheels
- Designer Spoke Guards ** \$275
Available only with 20" and 22" rear wheels. Not available with Mag wheels.

Design:

- Blue Monster
- Fairy Garden
- Havin' a Hoot
- Robo Fun
- Rockin' Reptiles
- Super Puppies
- Tutu Cute
- Tuxedo Time

Other Accessories

- Tool Kit ** \$60
- Removable Underseat Pouch ** \$75
- Pediatric Ki Mobility Backpack ** \$90
Best fit on chairs more than 8" wide
- Ki Mobility Backpack ** \$90
Best fit on chairs more than 10" wide
- Luggage Carrier ** \$120
- Cane and Crutch Holder ** \$110

Colored Anodizing Package

Select desired color. If no selection is made, black will be used. Included in Colored Anodizing Package: Backrest plates, camber tube, towers, CG clamps, side guard receivers, front caster forks (standard or unitine) and Dynamic 5th Wheel split clamp.

- Black _____ N/C
- Blue ** \$245
- Bright Green ** \$245
- Orange ** \$245
- Pewter ** \$245
- Pink ** \$245
- Purple ** \$245
- Red ** \$245
- Gold ** \$245

References

A. Seat Width See Diagram 1

Measured from outside of frame tube on one side to outside of frame tube on other side.

B. Seat Depth See Diagram 3

Measured from front of back posts to front edge of seat sling. Seat sling starts at beginning of bend at front of frame.

C. Front Frame Bend See Diagram 3

Angle between front seat tube and ground.

D. Sling Position See Diagram 2

With 0 Sling Position, sling is approximately 4" from the front tube. The 1" and 2" Sling Positions extend the frame in front of the sling by that amount. -1 pushes the seat 1" farther forward. See Charts 1 and 2 for more detail.

E. Front Seat Height See Diagram 1

Measured from floor to top of seat tube at front of seat sling.

F. Footrest Width See Diagram 1

Measured from inside of front tube to inside of front tube on other side. Footrest width is listed below for each seat width. See Chart 1 for more detail.

G. Seat to Footrest Length See Diagram 3

Measured from front edge of seat sling to top of rear of footrest. Footrest length of at least 2.5" shorter than front seat height recommended.

H. Rear Seat Height See Diagram 3

Measured from floor to top of seat tube at front of back post. Rear seat height is custom to needs.

I. Center of Gravity Preset See Diagram 3

Measured from front of back post to center of rear axle. 0" indicates axle will be directly under back post.

J. Rear Wheel Spacing See Diagram 1

Measured from outside of seat back to inside of rear tire. Adjustable up to .5" outward.

Chart 1

F. Footrest Width		
Seat Width	Straight Frame (Diagram 1)	Offset Frame
8"	5.75"	9"
9"	6.75"	10"
10"	7.75"	11"
11"	8.75"	12"
12"	9.75"	13"
13"	10.75"	14"
14"	11.75"	15"
15"	12.75"	16"
16"	13.75"	17"

Diagram 1

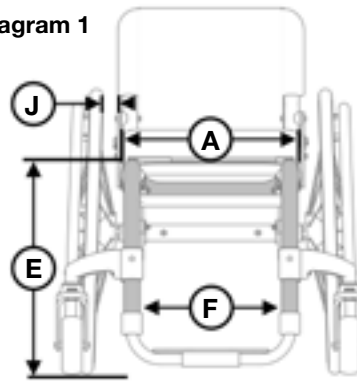


Diagram 2

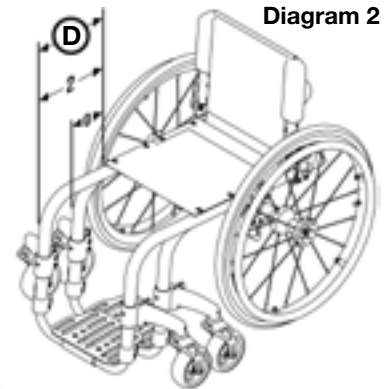


Diagram 3

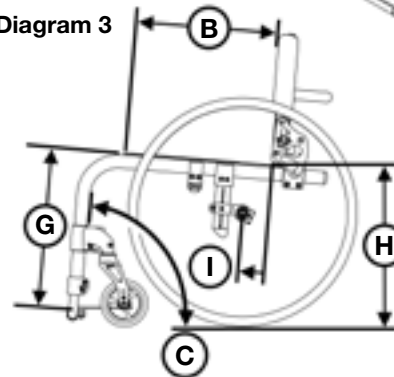


Chart 2

Sling Position / Adjustable Depth / Seat Depth Compatibility									
Sling Position	-1", 0"			1"			2"		
	1"	2"	3"	1"	2"	3"	1"	2"	3"
Seat Depth	14"								X
	15"					X		X	X
	16"			X		X	X	X	X

"X" indicates Sling Position, Adjustable Depth and Seat Depth combination is not available.
 -1" Sling Position, 0" Adjustable Depth and 8" - 13" Seat Depths have no restrictions.